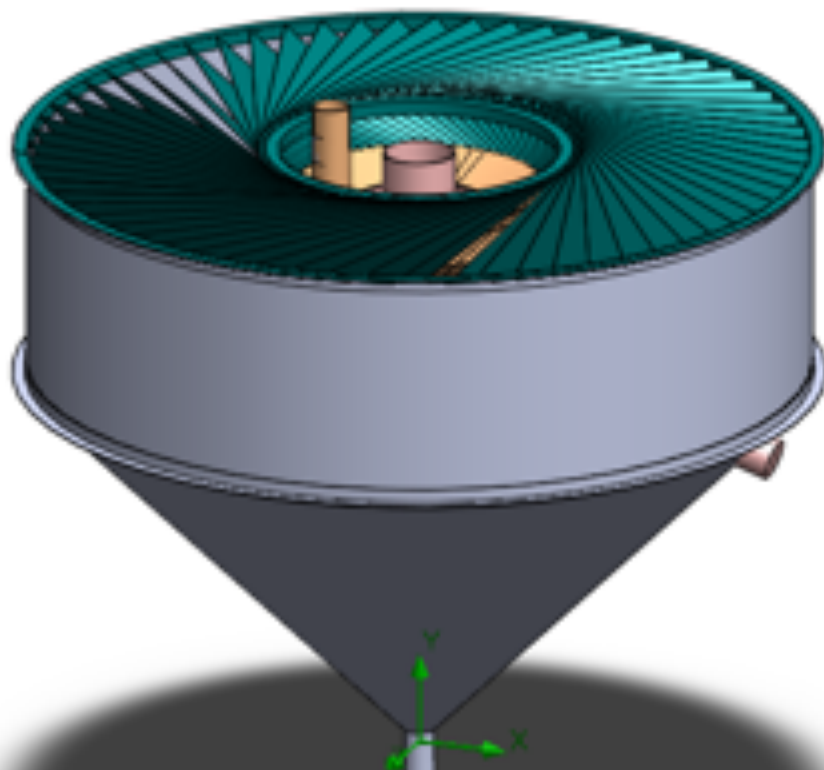




Slurrytec  
Understanding slurry™

## Kravi® de-slimer

A Revolution in Ore Preparation Technology



### FEATURES

- Small Footprint
- Minimal Power Input
- No Moving Parts
- Minimal Support Infrastructure

### BENEFITS

- Low Capital Cost
- Minimal Operating Cost
- Ease Of Operation
- High Slimes And Clay Removal
- High Product Yield
- Minimal Wear
- No Added Dilution Water
- No Blinding

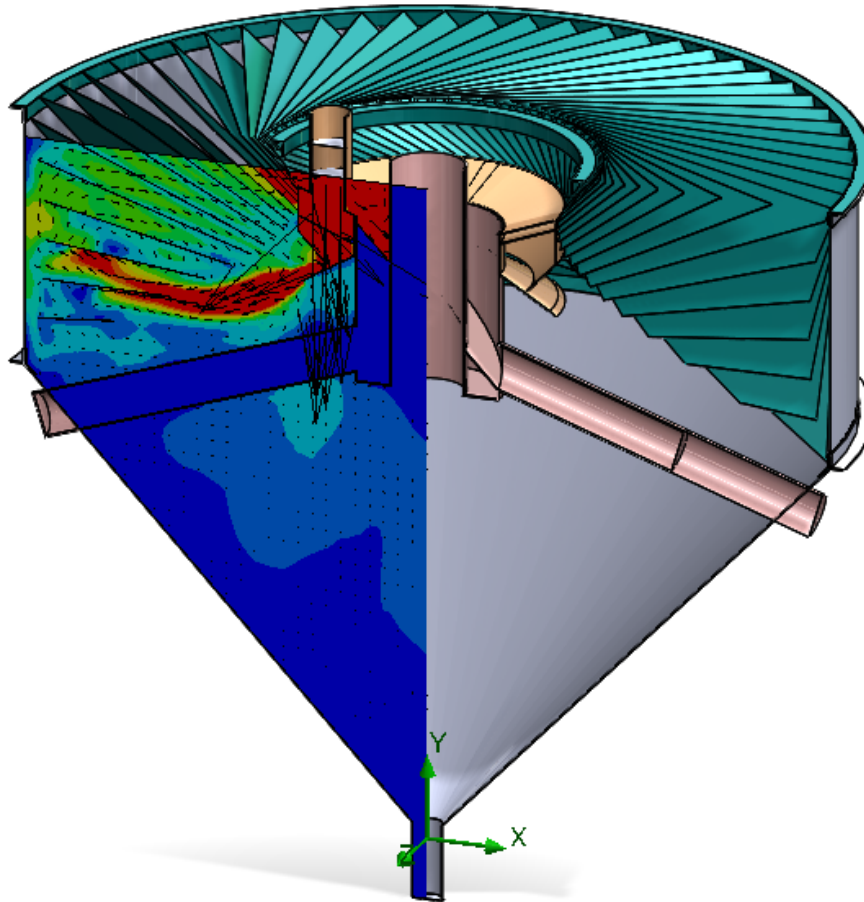
A patented de-sliming unit process that can remove fines efficiently,  
with minimal power or water input



# Slurrytec

Understanding slurry™

## Kravi® de-slimer



### APPLICATIONS

Ideal for de-sliming high clay containing mineral deposits or dumps in the following applications

- Ultra-Fine Coal Recovery
- Ultra-Fine Gold Recovery
- Ultra-Fine Chrome Recovery
- Ultra-Fine Platinum Recovery
- Mineral Sands
- Base Metals

### SIZE RANGE

The Kravi is available in modules from 2.5 meters up to 5 meters in diameter.

Postnet Suite #183, Private bag X11, Halfway House, 1685  
Tel +27 11 466 8295, [www.ViettiSlurrytec.com](http://www.ViettiSlurrytec.com)